

US00D632463S

(12) **United States Design Patent**
Brown et al.

(10) **Patent No.:** **US D632,463 S**

(45) **Date of Patent:** **** Feb. 15, 2011**

(54) **HIGH HEEL ACCESSORY**

(75) Inventors: **Rebecca P. Brown**, New York, NY (US);
Monica F. Murphy, Old Greenwich, CT (US)

(73) Assignee: **Solemates, LLC**, Old Greenwich, CT (US)

(**) Term: **14 Years**

(21) Appl. No.: **29/339,035**

(22) Filed: **Jun. 23, 2009**

(51) **LOC (9) Cl.** **02-99**

(52) **U.S. Cl.** **D2/915; D2/946; D2/965;**
36/72 B

(58) **Field of Classification Search** D2/915,
D2/946, 965; 36/72 B, 72 R, 136
See application file for complete search history.

(56) **References Cited**

U.S. PATENT DOCUMENTS

1,261,525 A	4/1918	Helwitz	
1,263,555 A	4/1918	Helwitz	
1,770,261 A *	7/1930	Barthes	36/72 B
1,875,806 A	9/1932	Givens	
2,875,534 A	3/1959	Grossman	
3,439,435 A	4/1969	Fredon	
D293,042 S *	12/1987	Martin	D2/915
D299,883 S	2/1989	Steele	

D346,060 S *	4/1994	Martinez	D2/915
D359,156 S *	6/1995	Cross	D2/915
D367,157 S *	2/1996	Gage, Sr.	D2/915
D495,854 S *	9/2004	Francis	D2/915
D572,881 S *	7/2008	Ringholz	D2/915
2007/0163149 A1	7/2007	Urbach et al.	

* cited by examiner

Primary Examiner—Dominic Simone

(74) *Attorney, Agent, or Firm*—St. Onge Steward Johnston & Reens LLC

(57) **CLAIM**

The ornamental design for a high heel accessory, as shown and described.

DESCRIPTION

FIG. 1 is a perspective view from above of the high heel accessory;

FIG. 2 is a back elevational view thereof;

FIG. 3 is a front elevational view thereof;

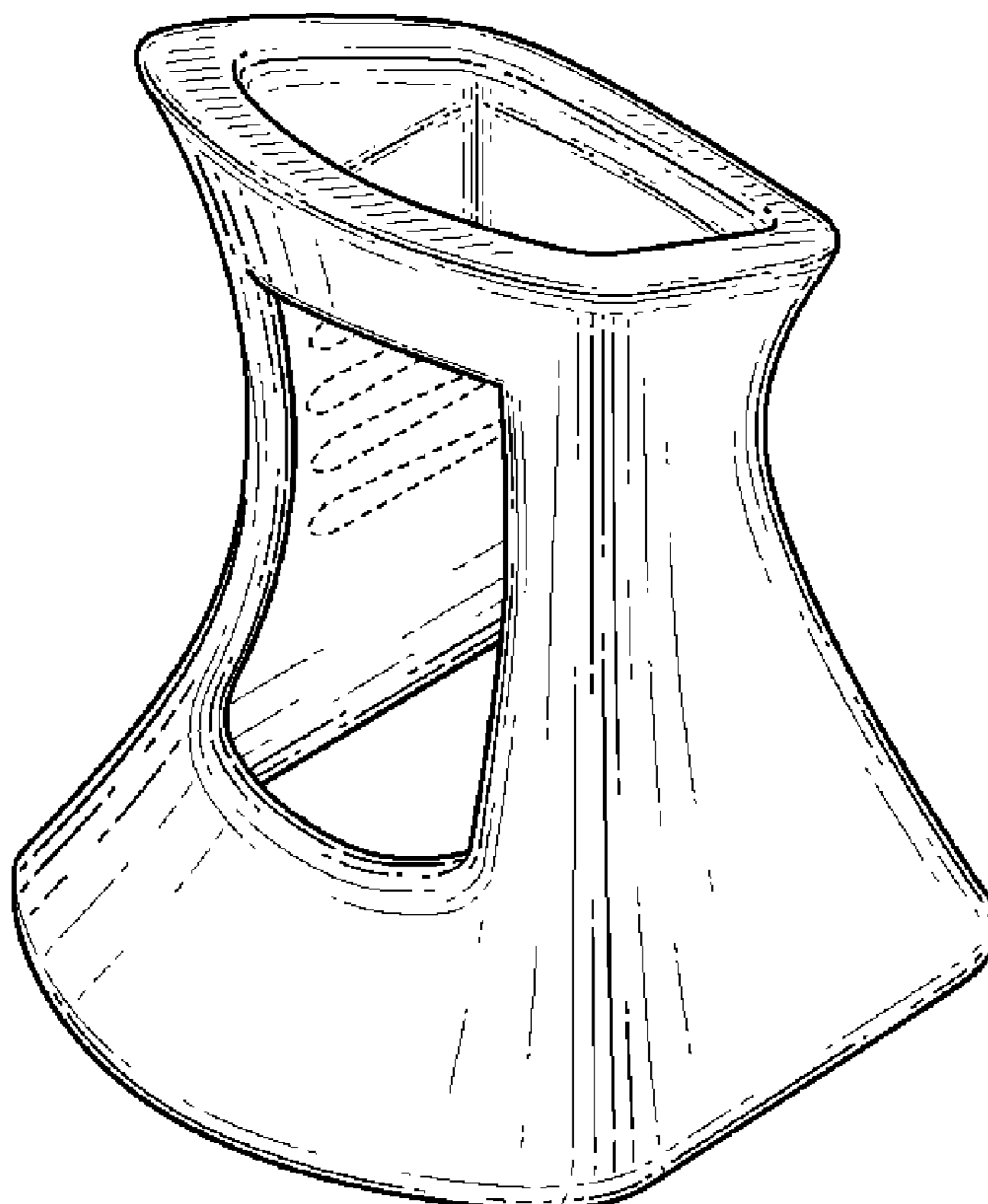
FIG. 4 is a side elevational view thereof, the opposite side being a mirror image;

FIG. 5 is a top plan view thereof; and,

FIG. 6 is a bottom plan view thereof.

The features shown in broken lines in FIGS. 1, 5 and 6 form no part of the invention.

1 Claim, 3 Drawing Sheets



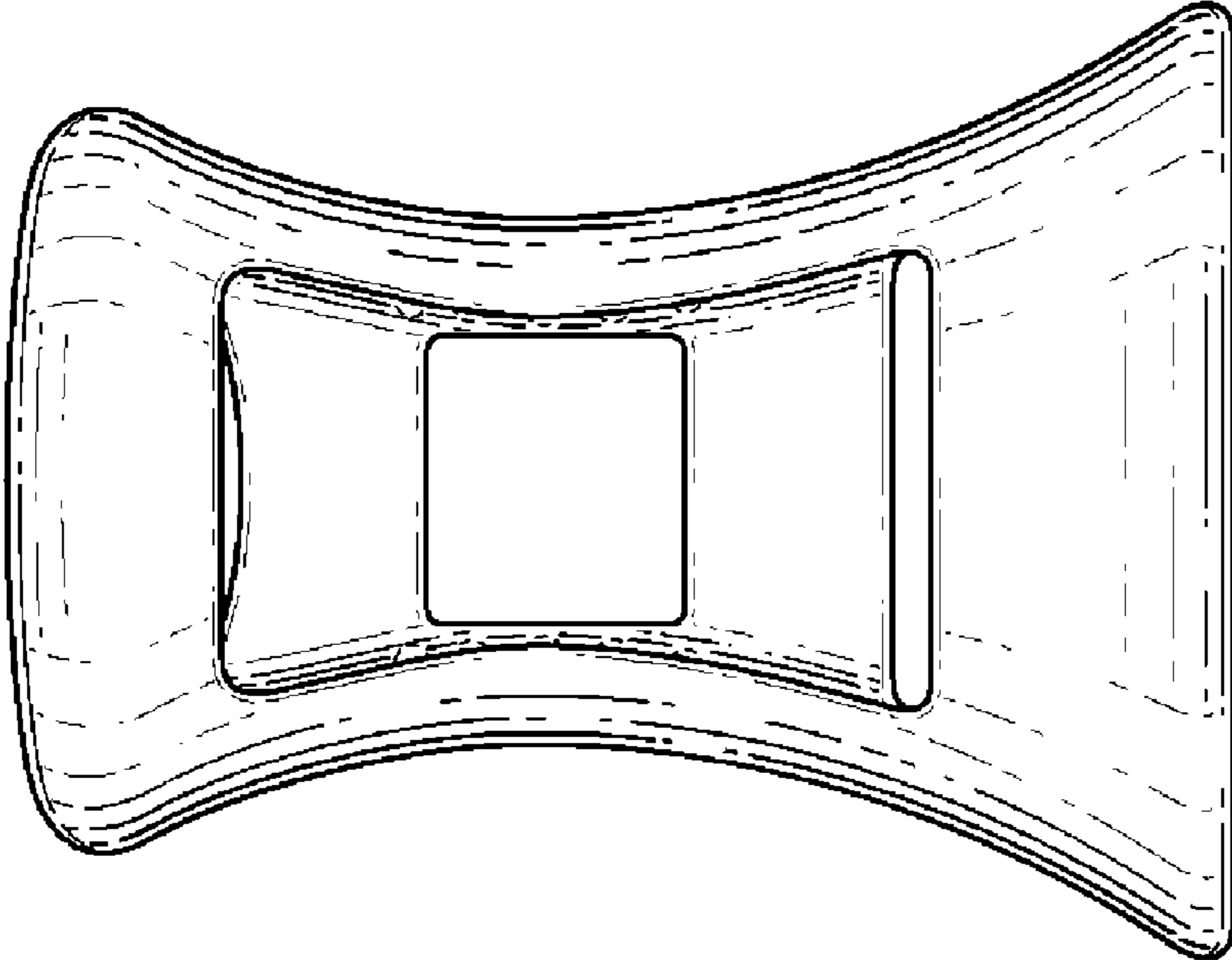


FIG. 2

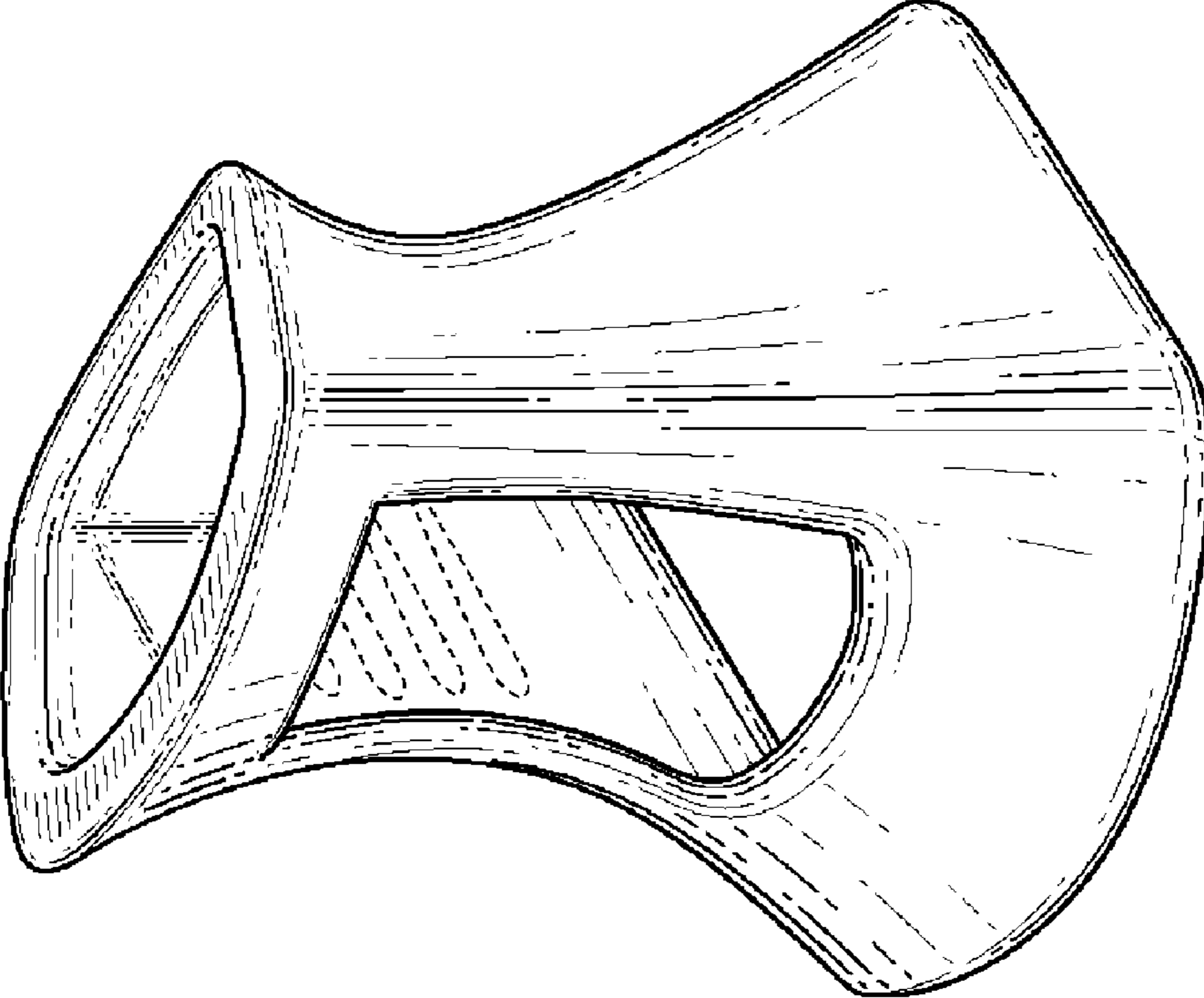


FIG. 1

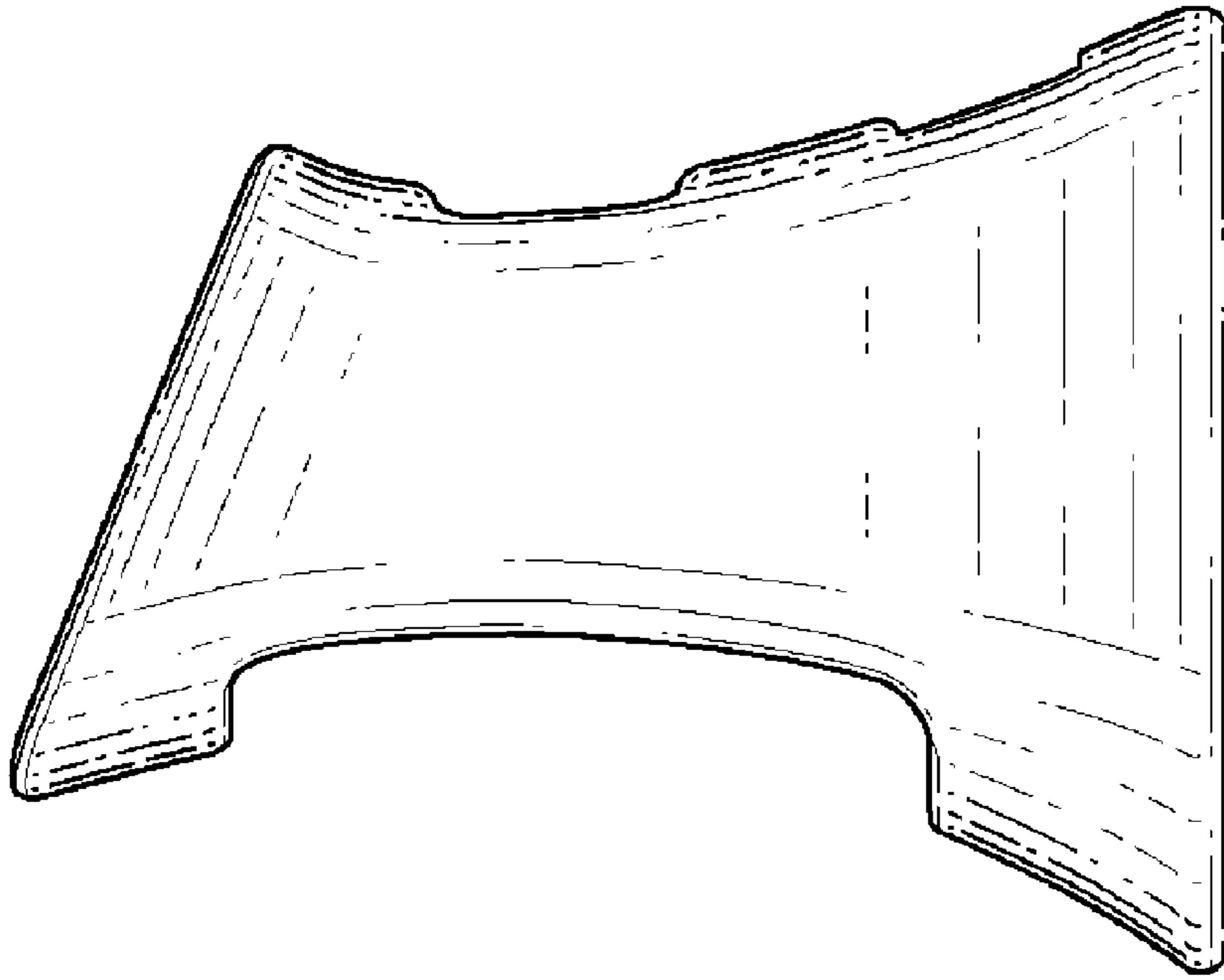


FIG. 4

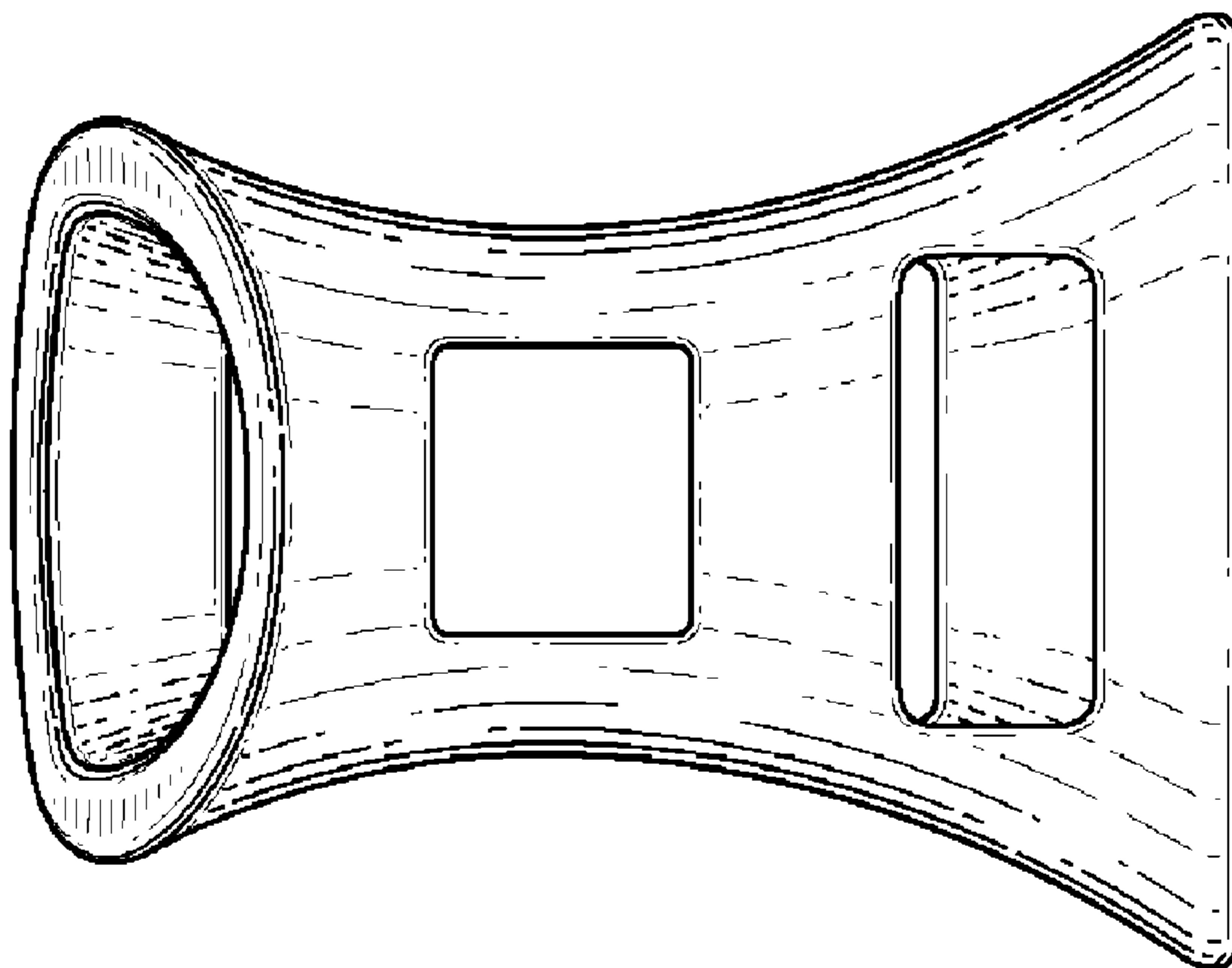


FIG. 3

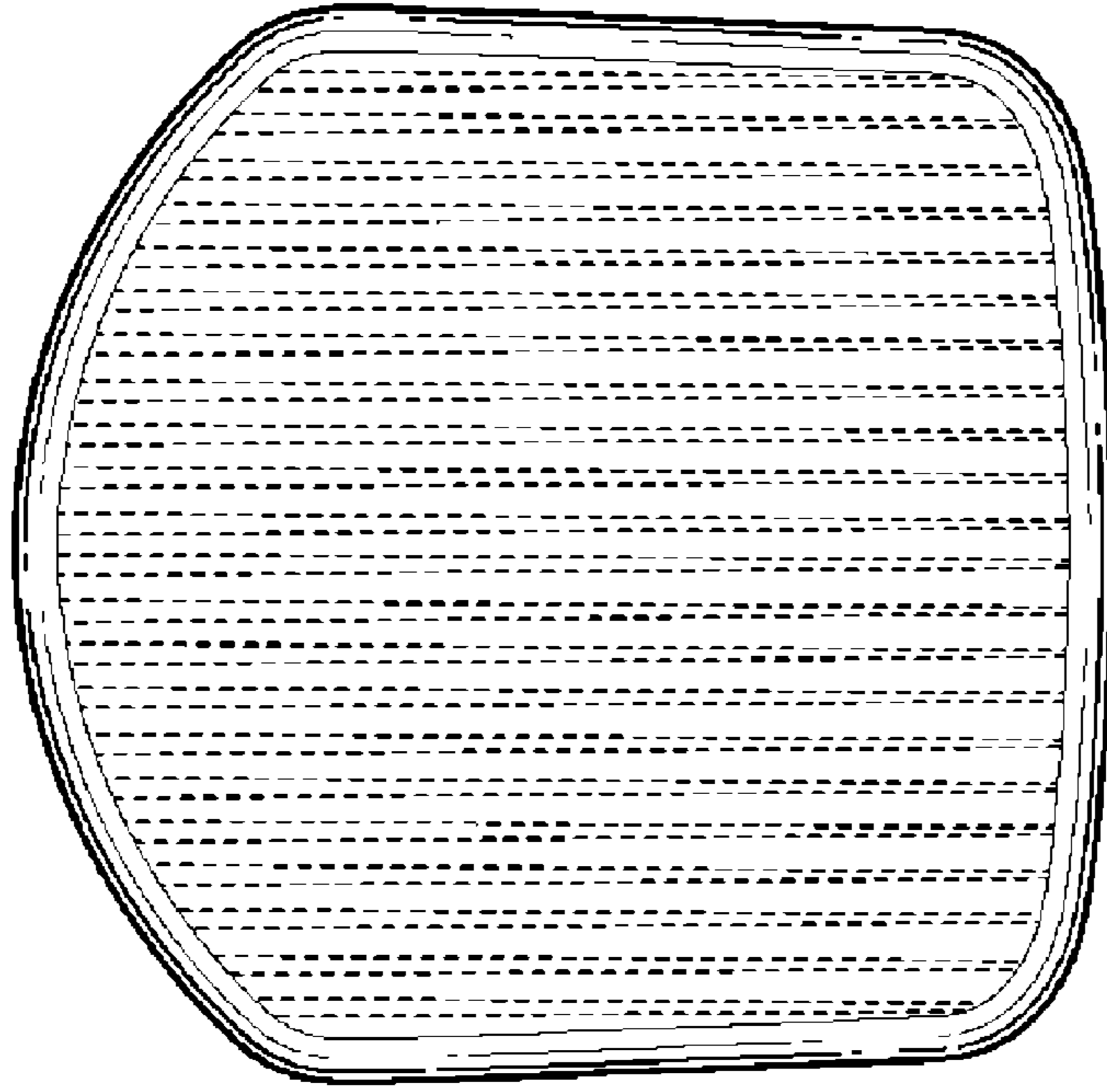


FIG. 6

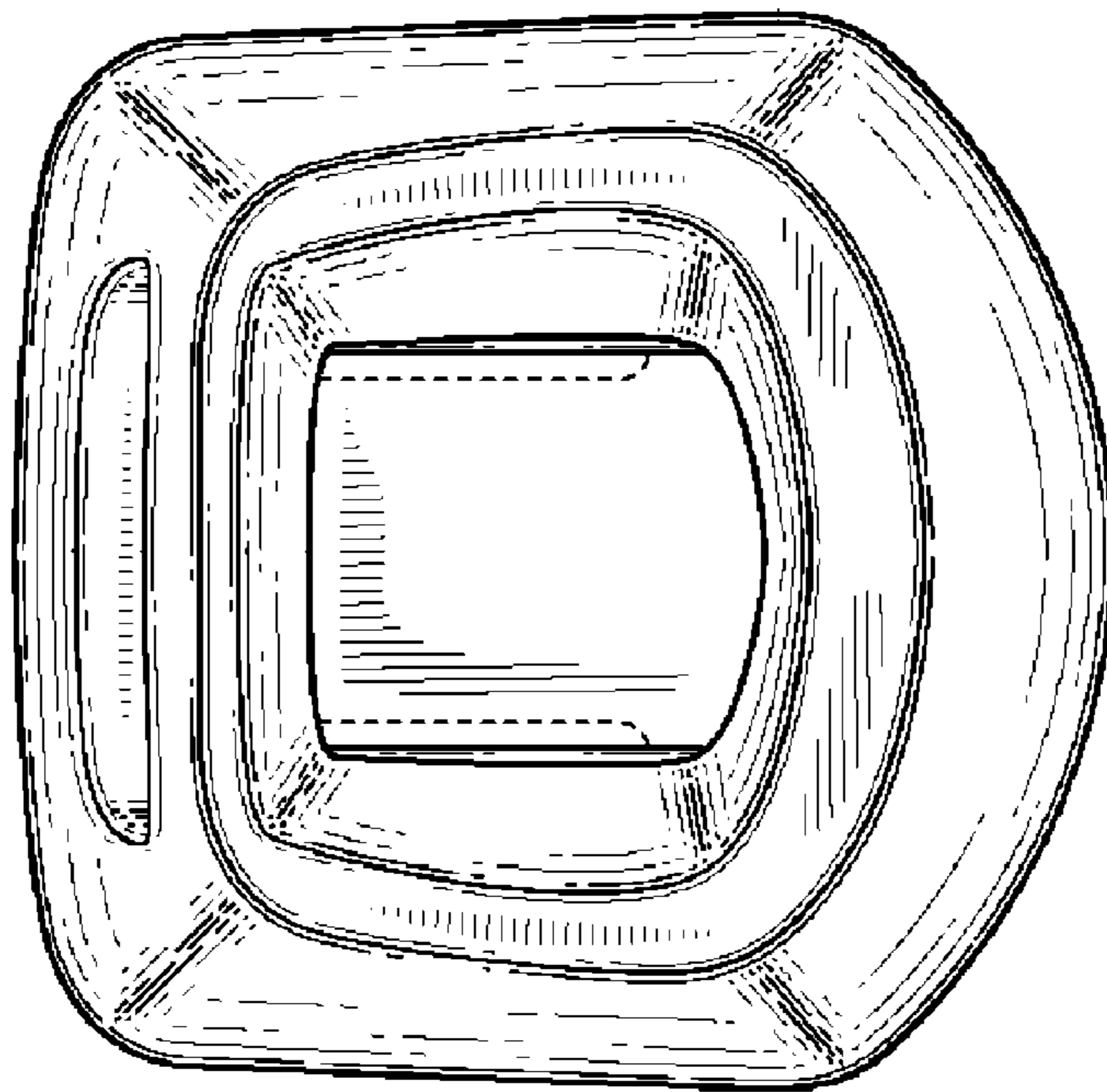


FIG. 5